



# Acme Sanitary Ware Co Ltd

Acme Building, 22-28 Nanking Street, Kowloon, Hong Kong  
 Tel: 2388 7171 Fax: 2710 8012  
 E-mail: acme@acmesanitary.com.hk  
 Website: www.acmesanitaryware.com.hk

|          |  |      |  |     |           |  |
|----------|--|------|--|-----|-----------|--|
| PROJECT  |  | REF  |  | REV | ITEM CODE |  |
| LOCATION |  | DATE |  |     | PAGE      |  |

## SANITARY WARE SPECIFICATION SHEET

|                                      |  |   |
|--------------------------------------|--|---|
| Item Descriptions                    | Mediclinics (Spain) stainless steel AISI 304 wall-mounted supply automatic liquid soap dispenser in satin finish AC supply | Illustration/ Drawing<br><br>240mm<br>110mm<br>120mm<br>Refillable tank<br> |
| Dimensions                           | L110 x W120 x H240 mm  |   |
| Model                                | DJ0037ACS-TRAFO  |   |
| Material/ Finish                     | Stainless Steel / Satin Finish   |   |
| Manufacturer                         | Mediclinics, S.A. (Spain)  |   |
| Supplier                             | Acme Sanitary Ware Co. Ltd<br>Mr. Eric Wong/ Mr. Don Yuen  |   |
| Contact Tel/Fax<br>E-mail<br>Website | (852) 2388-7171 / (852) 2710-8012<br>acme@acmesanitary.com.hk<br>www.acmesanitary.com.hk                                   |   |

|  |  |   |
|--|--|---|
| <b>General Description</b> <ul style="list-style-type: none"> <li>Automatic wall-mounted liquid soap dispenser of 1 L capacity, manufactured in stainless steel AISI 304, 0.8 mm thick.</li> <li>Available in four finishes (white, black, bright and satin) these soap dispenser models have a functional, robust and trendy design that matches the new range of Mediclinics bathroom accessories. This allows this soap dispenser to blend into any space perfectly.</li> <li>Suitable for high traffic facilities and for public use.</li> <li>Level display located in the front part of the soap dispenser. It constantly indicates the level of soap available inside the soap dispenser.</li> <li>Operates with an AC adapter. Order reference DJ0037A/B/C/CS-TRAFO to receive the automatic soap dispenser able to be connected to the mains with the AC adapter.</li> <li>It is recommended to use liquid soap or gel disinfectant soap with the following characteristics:           <ul style="list-style-type: none"> <li>-Maximum alcohol content of 70%</li> <li>-Density between 0.9 and 1.35 kg / dm<sup>3</sup></li> <li>-Viscosity between 550 and 2,500 cps.</li> </ul> </li> <li><b>It does not support soaps that contain chlorine or solid or abrasive particles.</b></li> <li>Screws and plastic plugs to mount on a brick wall supplied.</li> </ul> |  | <br><b>DJ0037A-TRAFO</b><br>White epoxy finish<br><br><b>DJ0037AB-TRAFO</b><br>Matte black epoxy finish<br><br><b>DJ0037AC-TRAFO</b><br>Bright finish<br><br><b>DJ0037ACS-TRAFO</b><br>Satin finish |
|--|--|---|

|                                    |                    |
|------------------------------------|--------------------|
| <b>Technical specifications</b>    |                    |
| Dimensions                         | 240 x 110 x 120 mm |
| Capacity                           | 1 L                |
| Body, cover & base plate thickness | 0.8 mm             |
| Inner Tank Thickness               | 2.5 mm             |
| Net weight                         | 1.25 Kg            |
| Quantity dispensed per pump        | 1.5 ml             |
| Maximum alcohol content in soap    | 70%                |

Note:

\* All information of the above is for the reference only. No prior notice is made if any changes.



Source: Mediclinics, S.A.



# Acme Sanitary Ware Co Ltd

Acme Building, 22-28 Nanking Street, Kowloon, Hong Kong  
Tel: 2388 7171 Fax: 2710 8012  
E-mail: acme@acmesanitary.com.hk  
Website: www.acmesanitaryware.com.hk

|          |  |      |  |     |           |  |
|----------|--|------|--|-----|-----------|--|
| PROJECT  |  | REF  |  | REV | ITEM CODE |  |
| LOCATION |  | DATE |  |     | PAGE      |  |

## SANITARY WARE SPECIFICATION SHEET

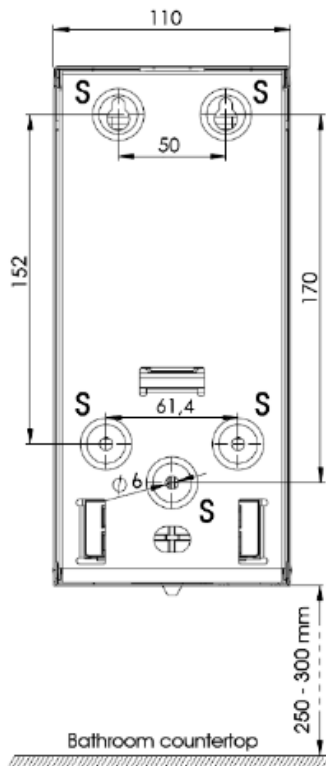
### Components & materials

- **DJ0037A-TRAFO:** Stainless steel AISI 304, white epoxy finish.
- **DJ0037AB-TRAFO:** Stainless steel AISI 304, black matte epoxy finish.
- **DJ0037AC-TRAFO:** Stainless steel AISI 304, bright finish.
- **DJ0037ACS-TRAFO:** Stainless steel AISI 304, satin finish.
- **COVER:** made of stainless steel AISI 304, 0.8 mm thick.
- **WALL PLATE:** made of stainless steel AISI 304, 0.8 mm thick. It is mounted on the wall by means of four Ø4 stainless steel screws (provided) with their corresponding Ø 6mm plastic plugs (also provided).
- **INNER PLASTIC TANK:** prevents oxidation and that can be easily removed for cleaning and disinfection purposes.
- **INFRA-REDDTECTION:** with a 5 cm hands detection range.
- **VALVE:** anti-drip corrosion resistant that dispenses 1.5ml of soap per service. This anti-drip valve, which dispenses liquid soap, is easily interchangeable with the valves of the other soap dispensers of the same line.
- **HINGED COVER:** for operator convenience and speed of service. Opening on top with provided Mediclinics key that allows soap refill.
- **POWER:** AC adapter. Order reference DJ0037A/B/C/CS-TRAFO to receive the automatic soap dispenser able to be connected to the mains with the electrical transformer.



### Mounting Template

Fix the soap dispenser through the holes of the wall and floor plates, using the stainless steel screws supplied and taking into account the distances of the points indicated by an "S" in the next figure:



**VERY IMPORTANT:**  
Do not install this soap dispenser inside the shower, as its electrical components can be seriously damaged by water and the dispenser stops working. If you choose the configuration with an electric converter, install it away from any source of water.

### Specifications

|                              |                          |
|------------------------------|--------------------------|
| Body material (all versions) | Stainless Steel AISI 304 |
| Dimensions                   | 240 x 120 x 120 mm       |
| Soap Tank Capacity           | 1000 ml                  |
| Battery                      | 9V power adapter         |
| Room Temperature             | +5°C – +40°C             |
| Dispensed soap quantity      | 1-2 ml (liquid)          |
| Suggested viscosity (liquid) | 500-2500 cps             |
| Max. Alcohol content in soap | 70%                      |

### Note:

\* All information of the above is for the reference only. No prior notice is made if any changes.



Source: Mediclinics, S.A.



# Acme Sanitary Ware Co Ltd

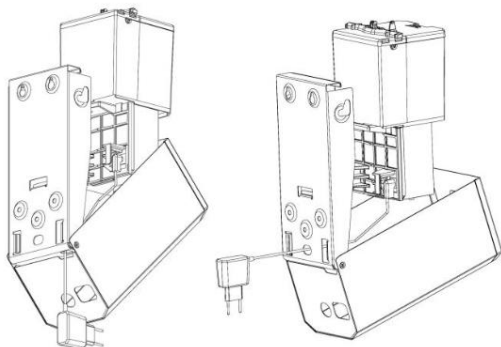
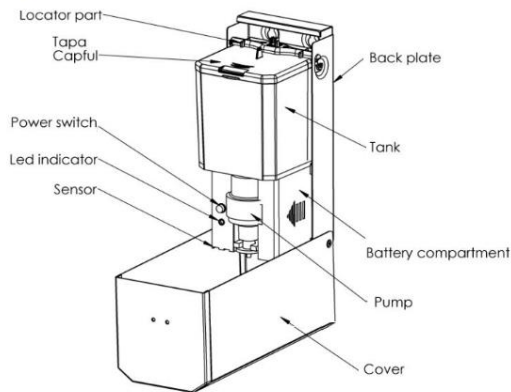
Acme Building, 22-28 Nanking Street, Kowloon, Hong Kong  
Tel: 2388 7171 Fax: 2710 8012  
E-mail: acme@acmesanitary.com.hk  
Website: www.acmesanitaryware.com.hk

|          |  |      |  |     |           |  |
|----------|--|------|--|-----|-----------|--|
| PROJECT  |  | REF  |  | REV | ITEM CODE |  |
| LOCATION |  | DATE |  |     | PAGE      |  |

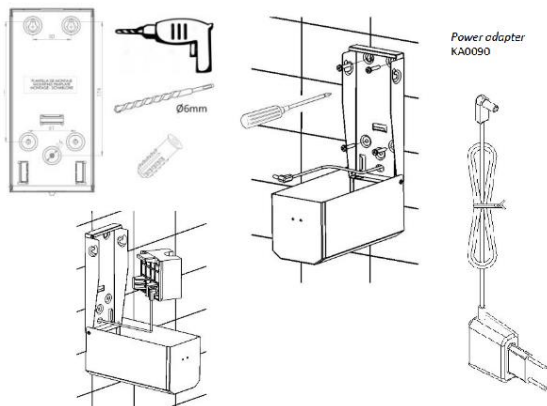
## SANITARY WARE SPECIFICATION SHEET

### Automatic Soap Dispenser Instructions

#### Soap Dispenser components

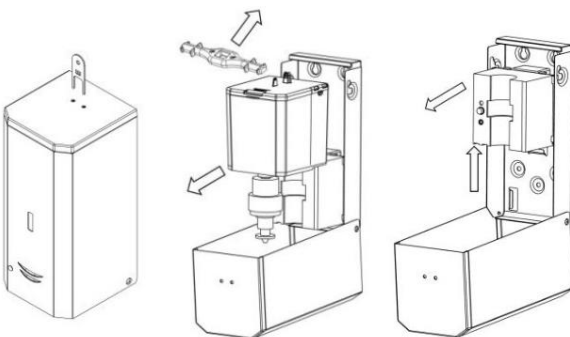


The power adaptor (optional) could be assembled by the lower or back part of the product

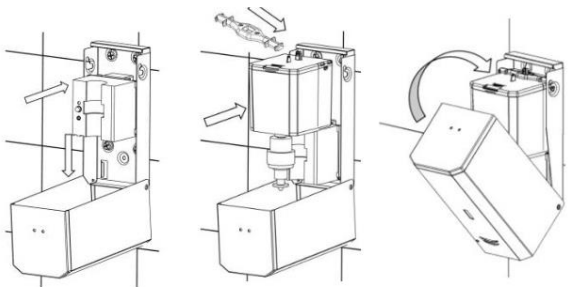


Drill the wall using the provided mounting template  
Route the cable through one of the provided holes if you are using the power adapter  
Firmly screw the unit to the wall (screw bag included)

### Installation



Open the unit with the provided key  
Remove the soap tank locator and the soap tank with the valve  
Remove the mechanism



Reassembly the mechanism, the soap tank with the valve and the soap tank locator  
Close the unit

### Note:

\* All information of the above is for the reference only. No prior notice is made if any changes.